



- + Five-zone paging system
- + Built-in AM/FM tuner with presets
- + MP3 player for USB device and SD card
- + All-in-One solution for background music and paging

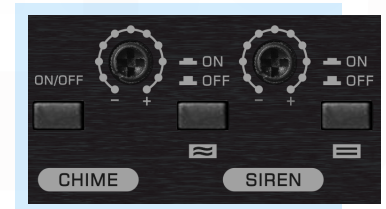
awWILLS JB150 and JB300 are high performance mixer power amplifiers with a 5-zone speaker selector that is suitable for public address broadcasting or background music usage. An **all zone** button allows broadcasting to be made to all 5 zones.

### Microphone and Line inputs

Multiple audio source options have been engineered into these amplifiers including MP3 player connecting external USB drive, wireless Bluetooth receiver, five microphone interfaces and two AUX RCA ports. 150/300 watts amplifier power are provided with an audio output to 5 different zones within the venue. Each zone has its own on/off switch which can be manually operated on the front panel.

### Features

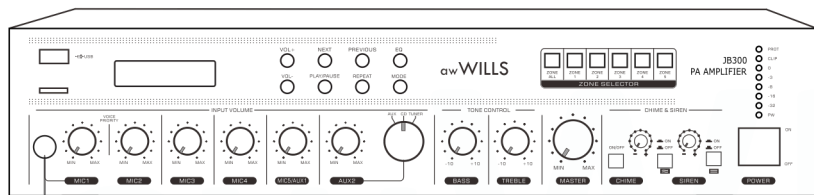
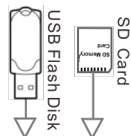
- Built-in Bluetooth receiver and USB player.
- Five 48V Phantom Power jacks support unbalanced 6.35mm jack or balanced XLR jack.
- Built-in Chime and Siren circuitry with push-button and volume control.
- 70/100-volt and 4/8 ohms( $\Omega$ ) output loads.
- 5 Zones 100V speaker outputs with separate switch ON/OFF & LED indicator.
- Mic 1 has priority over the inputs with 0~30dB dB attenuation.
- High-definition display for the working status of playing programme.
- Master volume control, BASS and TREBLE tone controllers.
- Complete protection provided for output short circuit, overload, high temperature.
- Removable rack mounting brackets supplied.



Built-in CHIME and SIREN circuitry with push button and volume control on front panel. Microphone input (MIC1) fitted on front panel features muting function by overriding the other inputs of MIC2, MIC3 AUX1, AUX2 with 0~30dB attenuation.

### Specifications

Model	JB150	JB300
Rated Power	150W	300W
Output Mode	Low impedance: 4ohms ( $\Omega$ ), 8ohms ( $\Omega$ ), Voltage line: 70V (81.7 ohms), 100V(166.7ohms)	
MIC Input	Five 48V Phantom power sockets support unbalanced 6.35mm jack or balanced XLR jack	
LINE Input	LINE:10k ohms( $\Omega$ ) 300mv, unbalanced	
LINE Output	0.775V (0 dB)	
Frequency Response	60Hz~15kHz( $\pm$ 3dB)	
THD	<0.5% at 1kHz, 1/3 rated power	
S/N	Line:80 dB , MIC:<75 dB	
Tone	BASS:100 Hz ( $\pm$ 10 dB), TREBLE:12k Hz ( $\pm$ 10 dB)	
Cooling	DC 12V FAN	
Fuse	AC FUSE x 4A	AC FUSE x 6A
Power Cable	(3×0.75 mm)×1.5M (standard)	
Power Supply	AC 220V $\pm$ 10% 50-60Hz (Optional)	
Power Consumption	190W	450W
Dimension	89(H)×430(W)×340(D)mm	
Net Weight	9.00Kg	11.50KG



## Front Panel

### Controls and indicators

Front panel:

- Power on LED
- LED VU meter for master output
- Master volume control
- Five volume-level controls for microphone inputs
- Separate bass and treble control per input
- Music source controls

### Output power

The built-in 150/300 W power amplifier of the JB series makes this a complete single-channel audio system for music distribution and paging. To enable two-channel operation, an external power amplifier can be connected to the Unit.



## ARCHITECT'S AND ENGINEER'S SPECIFICATIONS

### JB150 / JB300

The panel shall be Aluminium alloy and the case black steel plate. Dimensions shall be 430 (W) × 89 (H) × 340 (D) mm, and weight 9.0 kg and 11.5 kg respectively.

The mixer power amplifier shall operate on 220VAC 50 to 60Hz mains power. Speaker outputs shall be high-impedance and low-impedance, and there shall be a low-impedance REC out. The amplifier shall control and mix 5 balanced or unbalanced (phone jack and XLR) MIC inputs, 2 unbalanced (RCA pin jack) AUX inputs and Mp3 (USB)/Blue-tooth inputs.

The amplifier shall meet the following performance criteria: Power output shall be 150 Watts/ 300 Watts, less than 0.5% THD (at 1kHz, 1/3 rated power). Frequency response shall be 60 Hz to 15 kHz (±3 dB), with S/N ratio of over 80 dB. Muting of other input signals shall be available for MIC 1.

Bass Tone Control shall be ±10 dB at 100 Hz, and Treble Tone Control shall be ±10 dB at 12 kHz. Power, signal level and short protection indicators shall be provided. Separate volume controls for Mic inputs, USB, Line inputs shall be provided. Separate Bass and Treble controls shall be provided.

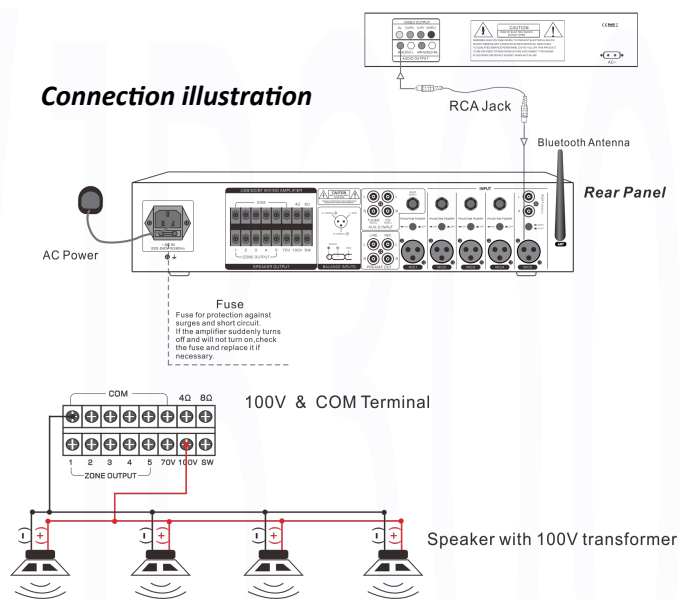
The JB150/300 amplifier topology shall be Class AB. Power consumption of JB150 shall be 190Watts and JB300 shall be 450Watts.

As part of awWILLS's ongoing commitment to product development, specifications are subject to change without notice.

## Rear



## Connection illustration



The JB150/JB300 5 Zone PA Installation Amplifiers are designed with a 2U height housing including removable rack mounting brackets, and overall 4/8 ohms(Ω) loads and features an industry leading 5 zoned 100 volt and 70 volt load solution.

