



» Brings You the Best in Retail Technology »

ECH-410

Heavy Duty Medium Cash Drawer

Main Features:

- Detachable Whole Cash Tray
- Detachable Coin Tray
- Made of Heavy Gauge Steel
- Suitable for Heavy Duty Use and Prolonged Operational Life
- Ideal Choice for Reliability and perfect for any POS Terminals to be used on
- Media Slot inside Cash Tray
- Human engineering designs for easy and comfortable operation
- Comes with a nicer looking decorated lock



Durable Metal Wire Gripper Bill Hold

Human engineering designs for easy and comfortable operation

Removable cash tray

Media slot inside cash tray



Applications:



Supermarket



Malls & Entertainment



Merchant Establishment



Hospitals / Pharmacy



Banks



Restaurants



Hotels



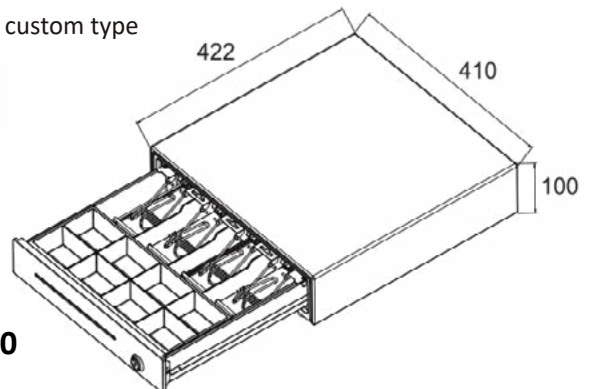
School / Education Institution

Interface:

- 1 RJ11
- 2 RJ12
- 3 USB
- 4 RS232
- 5 DCØ2.5 /3.5 Jack, custom type

Dimension:

Dimensions: 410mm(W) x 420mm(D) x 100mm(H)



ECH-410



» Brings You the Best in Retail Technology »

ECH-410

Heavy Duty Medium Cash Drawer

MODEL NUMBER: ECH-410

| | | |
|----------------------------|------------------|---|
| PHYSICAL: | Dimensions: | 410mm(W) x 420mm(D) x 100mm(H) |
| | Construction: | Thick gauge cold rolled steel & SECC |
| | Finish: | Textured hybrid powder coat |
| | Color: | Black, Beige and Custom type |
| | Roller: | Polyurethane for smooth operation |
| CASH TRAY (INSERT): | Construction: | Shatter-resistant plastic |
| | Currency Layout: | 4,5,6 8-Bill with Metal Metal wire grippers, 5,8 Coin Slots (Removable) |
| | Media Slots: | 1 |
| OPERATION: | Lock: | 3-Position lock: locked closed, manual bottom open, electronically driven |
| | Interface: | RJ11, RJ12, USB, RS232, DCΦ2.5 /3.5 Jack, custom type |
| | Lifecycle: | MTBF 1,000,000 times + |
| | Micro Switch: | Cash Drawer Status Micro Switch |

| OPTION: | ACCESSORIES: | |
|---|--------------|--------------------------|
| | PART NUMBER: | DESCRIPTION |
| Micro-switch: | | |
| Cash tray with different currency layout: | Bracket-4000 | Under mounting brackets |
| Different color: | DT-100U | USB-Trigger |
| Different interfaces: | DT-100RS | Serial Interface Trigger |

| PACKING DETAILS: | | |
|------------------|-------------------|--------------------|
| Net Weight(kg): | Gross Weight(kg): | Carton Size(cm): |
| 7.2 | 8.3 | 47.0 x 48.0 x 17.0 |



CARE . TRUST . RESPONSIBILITY



Download Our APP

Partner Tech Middle East Group

SALES OFFICE: Office No. 1004, 10th Floor, Aspect Tower, 33a Al Sa'ada Street, Business Bay, Dubai, UAE
 TECHNICAL OFFICE: No. 4 Balooch, Al Esbij Road, Bur Dubai, Dubai, UAE
 WAREHOUSE: Plot S10119, Gate 7, South Zone, Jebel Ali, Dubai, UAE
 TEL NO: +971 4 447 4273 | +971 4 352 4486 | +971 4 886 2980 | +971 52 429 3908
 SALES: info@partnertechme.com | TECHNICAL SUPPORT: support@partnertechme.com

Distribution Brands

