

MP200U/MP300U/MP600U/MP1000U
2 Zones Integrated Mixer Amplifier with Remote Paging



Features:

- With LCD screen to display working status
- 70V/100V & 4-16Ω speaker output
- Rated power 60W/120W/250W/350W
- Built in two zones of 100V output
- Built-in 4 Mic and 2 AUX and USB/FM/Bluetooth
- 4 audio source modes: AUX/Bluetooth/FM/USB
- Mic 2-4 with phantom power 48V and independent gain adjustment
- Individual volume control for Mic 1-4 and Aux input 1-2
- Support 2 remote paging stations RM20
- Chime/Siren/Mute inputs with gain adjustment
- Priority: EMC/MIC1/Remote Microphone/Short Circuit adjustable
- Protection: Overload, Clipping, Short circuit and temperature protection
- With memory function, the last shutdown content will be displayed when the power is turned on
- With 19" rack mount handles (optional)
- Power supply: AC220V-240V/50/60Hz or DC24V



Clear Screen Display of Status



4-16Ω & 70V/100V Speaker Outputs



Dry contact inputs



Mic Inputs with Phantom Power



EMC Input

Priority of inputs adjustable

RM20
2 Zones Remote Paging Microphone



Features:

- RJ-45 interface for power supply & signal transmit
- Built-in chime for paging reminder
- Support cascaded linkage for easy connection
- Special one-touch-to-talk design for convenient use

Model	RMS Power	THD	Freq. Response	Mic Input Sensitivity	AUX Input Sensitivity	Speaker Output	Dimension	Net Weight
MP200U	60W	≤1%	60Hz-16kHz	15mV(±1mV)	450mV(±50mV)	70V/100V & 4-16Ω	420x403x88mm	9.6kg
MP300U	120W	≤1%	60Hz-16kHz	15mV(±1mV)	450mV(±50mV)	70V/100V & 4-16Ω	420x403x88mm	10.8kg
MP600U	250W	≤1%	60Hz-16kHz	15mV(±1mV)	450mV(±50mV)	70V/100V & 4-16Ω	420x403x88mm	12kg
MP1000U	350W	≤1%	60Hz-16kHz	15mV(±1mV)	450mV(±50mV)	70V/100V & 4-16Ω	420x403x88mm	13.6kg

MP200PIII/MP300PIII/MP600PIII/MP1000PIII
Mixer Amplifier with 3 Mic & 2 AUX Inputs



Features:

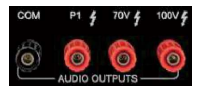
- 70V/100V & 4-16Ω optional speaker outputs
- Rated power output: 60W/120W/250W/350W
- 3 MIC inputs, Mic 1 with priority and muting function
- 2 AUX line inputs & 1 AUX line output for power extension
- Each microphone and line input has separated volume control
- Bass and treble tone control ensures wonderful sound effect
- Fashionable one-piece plastic mould design, classic and durable
- Power supply: AC220V/50Hz



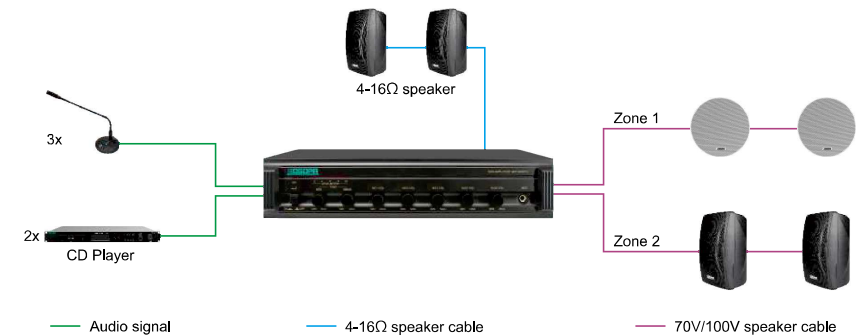
2 AUX & 3 Mic inputs with independent volume control



Mic with 6.5mm interface and mute function



70V/100V & 4-16Ω Speaker outputs



Model	RMS Power	THD	Mic Sensitivity	AUX Sensitivity	Freq. Response	Speaker Output	Dimension	Net Weight
MP200PIII	60W	<1%	≤3.3mV(Unbalanced)	≥700mV(Unbalanced)	80Hz-16kHz	70V/100V & 4-16Ω	420x338x88mm	8.5kg
MP300PIII	120W	<1%	≤3.3mV(Unbalanced)	≥700mV(Unbalanced)	80Hz-16kHz	70V/100V & 4-16Ω	420x338x88mm	9.0kg
MP600PIII	250W	<1%	≤3.3mV(Unbalanced)	≥700mV(Unbalanced)	80Hz-16kHz	70V/100V & 4-16Ω	420x338x88mm	13.0kg
MP1000PIII	350W	<1%	≤3.3mV(Unbalanced)	≥700mV(Unbalanced)	80Hz-16kHz	70V/100V & 4-16Ω	420x338x88mm	13.4kg

MP210P/MP310P/MP610P/MP1010P
6 Zones Mixer Amplifier with 4 Mic & 3 AUX



Features:

- 6 zones speaker output, each zone with individual volume control
- 5-unit LED Meter for monitoring volume output in each zone
- 4 Mic inputs, Mic 1 with priority and muting function
- Mic2-4 with XLR jack and Mic3 Mic4 with phantom power switch
- 3 AUX line inputs & 1 AUX line output for power extension
- Each AUX & Mic input with individual volume control
- With bass and treble tone control for speaker output
- Built-in chime for speech/paging notification
- 100V & 4-16Ω optional speaker output for different use
- Power supply: AC220V-240V/50Hz-60Hz/6A



6 zones with individual volume control



4 Mic inputs with individual volume control

Model	RMS Power	THD	Mic Sensitivity	AUX Sensitivity	Freq. Response	Speaker Output	Dimension	Net Weight
MP210P	60W	≤1%	≤3mV(±0.5mV)	≤300mV(±50mV)	80Hz-16kHz	100V & 4-16Ω	484x355x88mm	9.7kg
MP310P	120W	≤1%	≤3mV(±0.5mV)	≤300mV(±50mV)	80Hz-16kHz	100V & 4-16Ω	484x355x88mm	11.5kg
MP610P	250W	≤1%	≤3mV(±0.5mV)	≤300mV(±50mV)	80Hz-16kHz	100V & 4-16Ω	484x355x88mm	14.0kg
MP1010P	350W	≤1%	≤3mV(±0.5mV)	≤300mV(±50mV)	80Hz-16kHz	100V & 4-16Ω	484x355x88mm	15.0kg

MP210U/MP310U/MP610U/MP1010U
6 Zones Paging and Music Mixer Amplifier with USB & Tuner



Features:

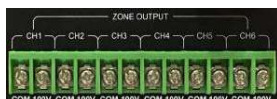
- 6 zones output, each zone with individual volume control
- Support USB/SD/FM radio, with built-in chime
- 4 MIC inputs, Mic 1 with priority and muting function
- 3 AUX line input & 1 AUX line output for power extension
- Each AUX & Mic input with individual volume control
- 100V & 4-16Ω flexible speaker output (70V customizable)
- Power supply: AC220V-240V/50-60Hz



6 zones with individual volume control



4 Mic and 3 Aux inputs



100V 6 zones outputs



4-16Ω output

MP210UB/MP310UB/MP610UB/MP1010UB
6 Zones Paging and Music Mixer Amplifier with USB & XLR



Features:

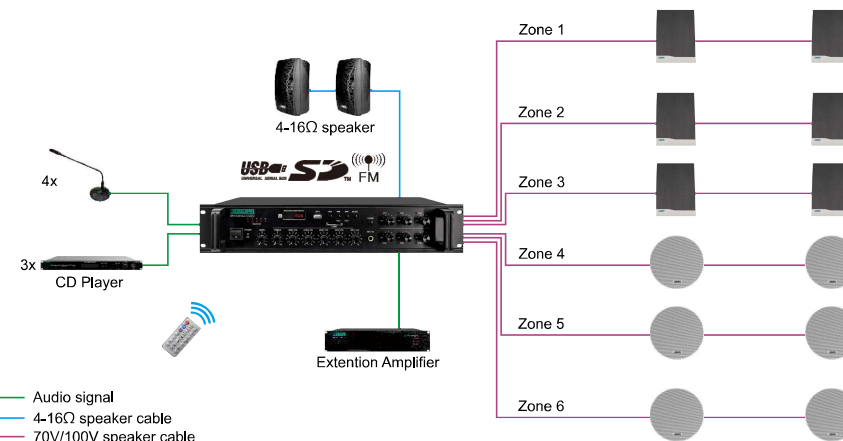
- 6 zones output, each zone with individual volume control
- Support USB/SD/FM radio, with built-in chime
- 4 MIC inputs, Mic 1 with priority and muting function
- Mic2-4 with XLR jack and Mic3 Mic4 with Phantom power
- 3 AUX line input & 1 AUX line output for power extension
- Each AUX & Mic input with individual volume control
- 100V & 4-16Ω flexible speaker output (70V customizable)
- Power supply: AC220V-240V/50-60Hz



6 zones with individual volume control



Mic 3 & Mic 4 with phantom power



Applications:

Applicable to small and medium venues: stores, coffee shops, supermarket, etc.

Model	RMS Power	THD	Freq. Response	Mic Input Sensitivity	AUX Input Sensitivity	Speaker Output	Dimension	Net Weight
MP210U	60W	<1%	80Hz-16kHz	3.0mV(±0.5mV)	300mV(±50mV)	100V & 4-16Ω	483x355x88mm	9.7kg
MP310U	120W	<1%	80Hz-16kHz	3.0mV(±0.5mV)	300mV(±50mV)	100V & 4-16Ω	483x355x88mm	11.5kg
MP610U	250W	<1%	80Hz-16kHz	3.0mV(±0.5mV)	300mV(±50mV)	100V & 4-16Ω	483x355x88mm	14kg
MP1010U	350W	<1%	80Hz-16kHz	3.0mV(±0.5mV)	300mV(±50mV)	100V & 4-16Ω	483x355x88mm	15kg
MP210UB	60W	<1%	80Hz-16kHz	3.0mV(±0.5mV)	300mV(±50mV)	100V & 4-16Ω	483x355x88mm	9.7kg
MP310UB	120W	<1%	80Hz-16kHz	3.0mV(±0.5mV)	300mV(±50mV)	100V & 4-16Ω	483x355x88mm	11.5kg
MP610UB	250W	<1%	80Hz-16kHz	3.0mV(±0.5mV)	300mV(±50mV)	100V & 4-16Ω	483x355x88mm	14kg
MP1010UB	350W	<1%	80Hz-16kHz	3.0mV(±0.5mV)	300mV(±50mV)	100V & 4-16Ω	483x355x88mm	15kg

DA2200
400W Stereo Amplifier with USB/Bluetooth/Tuner/AB Zones



Features:

- Rated power 4x100W@4Ω
- Digital screen for audio source and status display
- Built-in USB, Bluetooth and FM tuner
- Built-in chime and siren
- 2 stereo audio inputs and 1 RCA output
- Mic 1 on the front panel with 6.3mm jack
- Mic 2-3 on the rear panel with XLR jack, phantom power and gain adjustment
- Built-in Echo/Master Volume/Bass/Treble control
- Power supply: AC220V/50Hz

Model	RMS Power	THD	Freq. Response	Mic Input Sensitivity	AUX Input Sensitivity	Speaker Output	Dimension	Net Weight
DA2200	4x100W	≤1%	20Hz-20kHz (±3dB)	5.0mV	300mV	4x100W @ 4Ω	420x335x98mm	9.7kg

MP60B/MP120B
Mixer Amplifier with 4 Mic & 2 AUX & USB



Features:

- 100V speaker output for long distance transfer
- With USB in front panel for audio input
- 4 MIC inputs, Mic 1 with priority and muting function
- 2 AUX line input & 1 AUX line output for power extension
- Each AUX & Mic input with individual volume control
- Protection from overheat, overload, clip & short circuit
- Power supply: AC220V-240V/50-60Hz

Model	RMS Power	THD	Mic Sensitivity	AUX Sensitivity	Freq. Response	Speaker Output	Dimension	Net Weight
MP60B	60W	<1%	3mV (±0.5mV)	300mV (±30mV)	65Hz-20kHz	100V	483x300x88mm	6.0kg
MP120B	120W	<1%	3mV (±0.5mV)	300mV (±30mV)	65Hz-20kHz	100V	483x300x88mm	7.0kg

MP260/MP212
6 Zones Mixer Amplifier with 2 Mic & 3 Line Inputs



Features:

- 6 zones output, with individual zone switch and master switch
- 100V speaker output for long distance transfer
- 2 MIC inputs, Mic 1 with priority and muting function
- 3 AUX line input & 1 AUX line output for power extension
- Each AUX & Mic input with individual volume control
- Bass & Treble tone control for better sound effect
- The protection and alarm in case of short circuit
- Power supply: AC220V-240V/50-60Hz

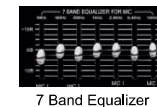
Model	RMS Power	THD	Freq. Response	Mic Input Sensitivity	AUX Input Sensitivity	Speaker Output	Dimension	Net Weight
MP260	60W	≤1%	65Hz-20kHz	3mV(unbalanced)	300mV(unbalanced)	100V	485x340x88mm	7.2kg
MP212	120W	≤1%	65Hz-20kHz	3mV(unbalanced)	300mV(unbalanced)	100V	485x340x88mm	8.9kg

MK6906/MK6920/MK6925
Stereo Mixer Amplifier with 4 Mic 3 4 AUX & Equalizer



Features:

- 2 stereo outputs for 8Ω speaker
- 4 Mic inputs, Mic 3 & Mic 4 with phantom power 48V supply
- 3 stereo AUX inputs with volume adjustment and bass/treble control
- 1 AUX output for power extension
- 1 REC out of RCA for audio recording
- 7-band equalizer with convenient adjustment
- Built-in Echo, Delay, Repeat audio effects
- Easy selection for each Mic input and AUX input
- Power supply: AC220V/50Hz



Model	RMS Power	THD	Freq. Response	Mic Input Sensitivity	AUX Input Sensitivity	Speaker Output	Dimension	Net Weight
MK6906	2x60W	≤0.5%	20Hz-20kHz (±3dB)	5mV (±0.5mV)	250mV (±50mV)	2x60W @ 8Ω	483x310x88mm	7.5kg
MK6920	2x120W	≤0.5%	20Hz-20kHz (±3dB)	5mV (±0.5mV)	250mV (±50mV)	2x120W @ 8Ω	483x310x88mm	8.15kg
MK6925	2x250W	≤0.5%	20Hz-20kHz (±3dB)	4.5mV (±0.5mV)	250mV (±50mV)	2x250W @ 8Ω	483x310x88mm	5.6kg

MP260U/MP212U/MP225U/MP235U/MP245U/MP265U
6 Zones Mixer Amplifier with USB/SD/FM

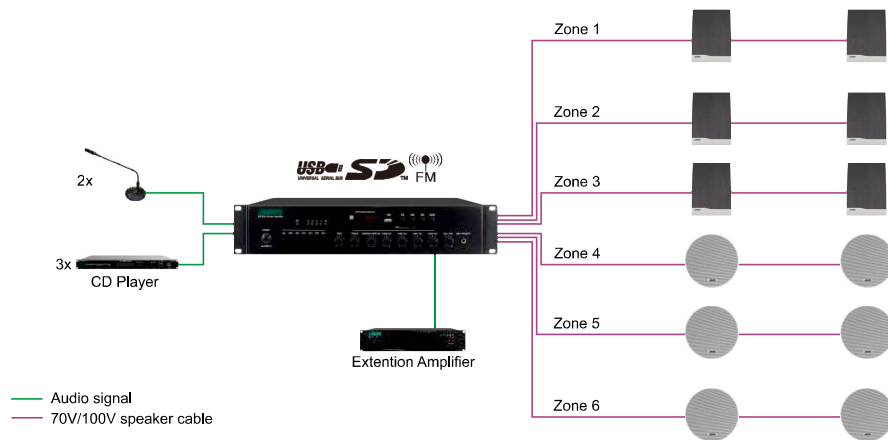


MP260U/MP212U

MP225U/MP235U/MP245U/MP265U

Features:

- 6 zones output @ 100V for long distance transfer
- Support USB/SD/FM radio for audio source inputs
- 2 MIC inputs, Mic 1 with priority and muting function
- 3 AUX inputs & 1 AUX output for power extension
- Each AUX & Mic input with individual volume control
- Reliable protection from overheat, overload, clip & short circuit
- Power supply: AC220V-240V/50-60Hz



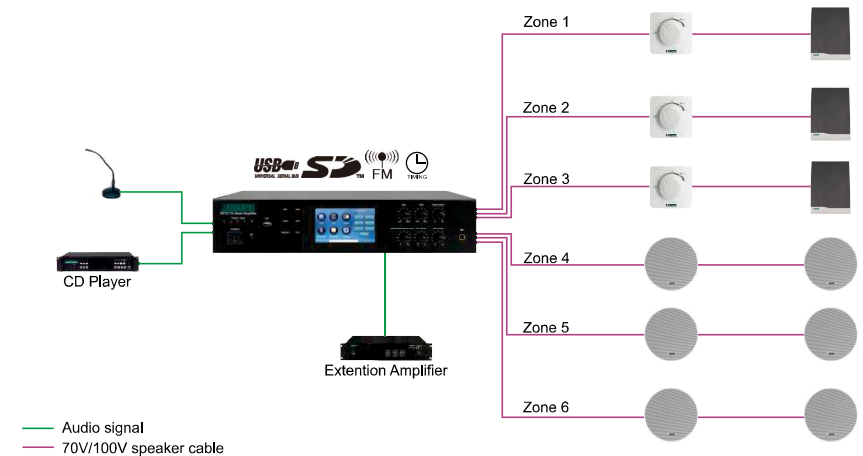
Model	RMS Power	THD	Mic Sensitivity	AUX Sensitivity	Freq. Response	Speaker Output	Dimension	Net Weight
MP260U	60W	≤1%	3mV(±0.5mV)	300mV(±30mV)	65Hz-20KHz (±3dB)	100V	485×330×88mm	7.2kg
MP212U	120W	≤1%	3mV(±0.5mV)	300mV(±30mV)	65Hz-20KHz (±3dB)	100V	485×330×88mm	8.9kg
MP225U	250W	≤1%	3.5mV(±0.5mV)	350mV(±30mV)	60Hz-16KHz (±3dB)	100V	485×400×88mm	10.3kg
MP235U	350W	≤1%	3.5mV(±0.5mV)	350mV(±30mV)	60Hz-16KHz (±3dB)	100V	485×400×88mm	11.6kg
MP245U	450W	≤1%	3.5mV(±0.5mV)	350mV(±30mV)	60Hz-16KHz (±3dB)	100V	485×400×88mm	12.8kg
MP265U	650W	≤1%	3.5mV(±0.5mV)	350mV(±30mV)	60Hz-16KHz (±3dB)	100V	485×400×88mm	14.5kg

MP2708/MP2715/MP2725/MP2735/MP2745/MP2765
6 Zones Mixer Amplifier with Timer & USB & Tuner & Bluetooth



Features:

- 6 zones output, each zone with individual on/off control
- 4.3" true color touch screen control, easy to use
- Support 7days/week programmable scheduler
- Multiple audio inputs: USB/SD/Tuner/Bluetooth
- Mic 1 in the front panel with priority and muting function
- 1 AUX input and 1 AUX output of RCA interface
- 100V speaker output for long distance transfer
- Power supply: AC220V-240V/50-60Hz



Model	RMS Power	THD	Line Freq. Response	Mic Freq. Response	S/N Ratio	AUX Output	Speaker Output	Dimension
MP2708	80W	≤0.5%, @1KHz	50Hz-20KHz	40Hz-16KHz	Mic: 70dB, Line: 80dB	100Ω, 1V (0dBV)	100V	418x338x88mm
MP2715	150W	≤0.5%, @1KHz	50Hz-20KHz	40Hz-16KHz	Mic: 70dB, Line: 80dB	100Ω, 1V (0dBV)	100V	418x338x88mm
MP2725	250W	≤0.5%, @1KHz	50Hz-20KHz	40Hz-16KHz	Mic: 70dB, Line: 80dB	100Ω, 1V (0dBV)	100V	418x338x88mm
MP2735	350W	≤0.5%, @1KHz	50Hz-20KHz	40Hz-16KHz	Mic: 70dB, Line: 80dB	100Ω, 1V (0dBV)	100V	418x338x88mm
MP2745	450W	≤0.5%, @1KHz	50Hz-20KHz	40Hz-16KHz	Mic: 70dB, Line: 80dB	100Ω, 1V (0dBV)	100V	418x338x88mm
MP2765	650W	≤0.5%, @1KHz	50Hz-20KHz	40Hz-16KHz	Mic: 70dB, Line: 80dB	100Ω, 1V (0dBV)	100V	418x338x88mm

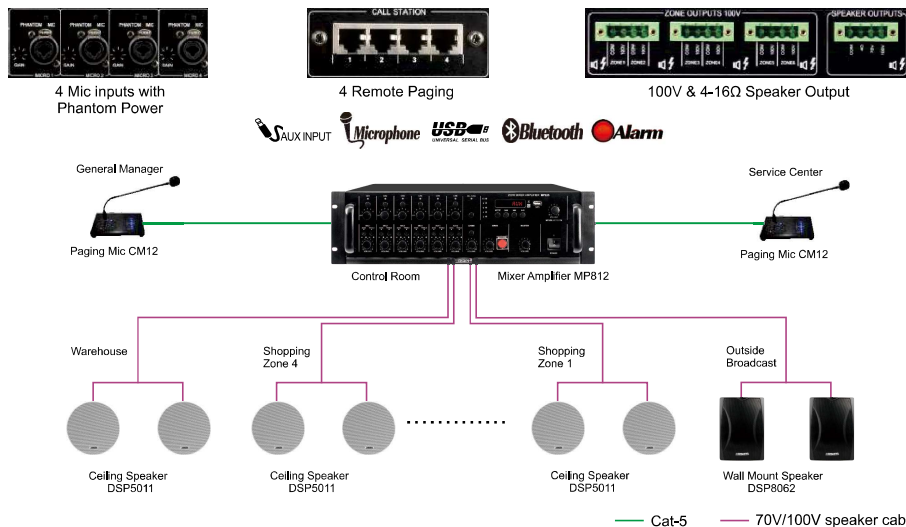
MP812/MP825/MP835

6 Zones Integrated Mixer Amplifier with Remote Paging



Features:

- 6 zones output, each zone with individual volume control
- Support AUX/USB/Bluetooth for audio input
- Support 4 remote paging stations CM12, support cascaded linkage
- 4 combo Mic inputs, support phantom power 48V supply
- Mic1-4 with independent volume control switch and gain adjustment
- 2 AUX line inputs, 1 EMC input, 1 chime trigger input
- Each AUX and Mic input with volume and Bass & Treble control
- Support TEL input, built-in one touch emergency alarm
- Separate Bass & Treble adjustment for sound effect
- Priority level: TEL, Remote paging>Mic1>Siren, EMC, Chime>others
- 70V/100V & 4-16Ω optional speaker outputs
- Power supply: AC220V/50Hz & DC24V



Applications:

Small to medium size venues: school, small factory, small hotel, supermarket, etc.

Model	RMS Power	THD	SNR	AUX Freq. Response	AUX Input Sensitivity	Speaker Output	Dimension	Net Weight
MP812	120W	≤1%	MIC: ≥55dB	80Hz-16kHz	300mV(±50mV)	70V/100V & 4-16Ω	483x413x132mm	14.7kg
MP825	250W	≤1%	TEL: ≥65dB	80Hz-16kHz	300mV(±50mV)	70V/100V & 4-16Ω	483x413x132mm	19.9kg
MP835	350W	≤1%	LINE: ≥75dB	80Hz-16kHz	300mV(±50mV)	70V/100V & 4-16Ω	483x413x132mm	22.1kg

MP7806/MP7812/MP7825/MP7835

2 Zones all-in-one Amplifier with MP3/Tuner/CD/DVD



Features:

- 2 zones output, with Bass & Treble tone control
- Support USB/FM radio, with built-in CD/DVD/VCD player
- 4 Mic/AUX line inputs with individual volume control
- With phantom power 48V supply and gain adjustment for Mic inputs
- Chime and microphone with the first priority
- With built-in DVD player and video output
- With one AUX output and one EMC input
- With built-in chime, support chime trigger input
- 70V/100V & 4-16Ω optional speaker output
- Power supply: AC220V-240V/50-60Hz



Model	RMS Power	THD	AUX Input Sensitivity	AUX Freq. Response	Phantom Power for Mic	Speaker Output	Dimension	Net Weight
MP7806	60W	≤1%	≤300mV(unbalanced)	80Hz-15kHz	48(±2V)	70V/100V & 4-16Ω	430x400x132mm	13.5kg
MP7812	120W	≤1%	≤300mV(unbalanced)	80Hz-15kHz	48(±2V)	70V/100V & 4-16Ω	430x400x132mm	15kg
MP7825	250W	≤1%	≤300mV(unbalanced)	80Hz-15kHz	48(±2V)	70V/100V & 4-16Ω	430x400x132mm	17.8kg
MP7835	350W	≤1%	≤300mV(unbalanced)	80Hz-15kHz	48(±2V)	70V/100V & 4-16Ω	430x400x132mm	19.6kg

DM848

8 Zone Network Music Host



Features:

- 5" TFT HD screen, built in video player, support 1080P HD screen display
- With 8 channels of audio output interface, connectable to external active speakers
- Built-in 2 XLR input interface and 2 XLR output interface
- Audio sources: local, USB, network radio, network music, Bluetooth, AUX
- Built-in Hi-Fi digital amplifier, 2.1 bass signal output.
- Support DLNA/airplay music play mode
- Independent timing function, with memory function when power off
- RJ45 network interface, support wireless control of iOS and Android devices
- Four channels of MIC input with highest priority level
- Power supply: AC100V-240V/50Hz/60Hz

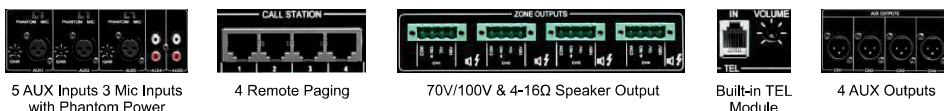
Model	RMS Power	Bluetooth	SD	USB	Radio	Remote Controller	APP Control	Dimension	Net Weight
DM848	2x20W/8Ω	V	V	V	Network Radio	V	V	88x427x280mm	3.2kg

MP906/MP912
4x4 Matrix Mixer Amplifier with Remote Paging

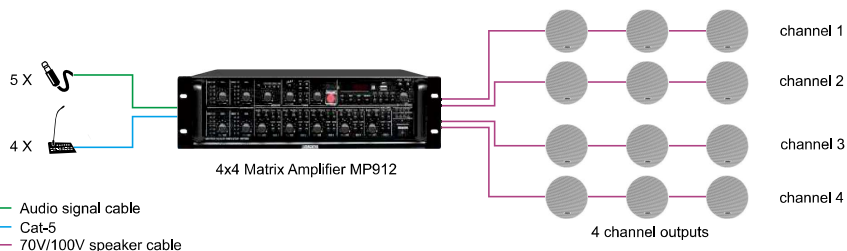


Features:

- Built-in 4 separate amplifier outputs, each channel RMS 60W/120W
- Support AUX/USB/Bluetooth for audio input
- 5 AUX inputs, 3 balanced Mic input with phantom power 48V supply
- 4 remote paging stations, support cascaded linkage
- Each AUX and Mic input with volume and Bass & Treble control
- Each channel can play different audio source, with AUX output for power extension
- Support TEL input, built-in chime and one touch emergency alarm
- Protection: DC output, Overload, Short circuit, Overheat
- One monitoring interface to monitor four channels line output
- One RS232 interface could be connected with computer to control this equipment
- 70V/100V & 4-16Ω optional speaker output
- Power supply: AC220V/50Hz/10A



5 AUX Inputs 3 Mic Inputs with Phantom Power 4 Remote Paging 70V/100V & 4-16Ω Speaker Output Built-in TEL Module 4 AUX Outputs



Applications:

Small to medium size venues: school, small factory, small hotel, supermarket, etc.

Model	RMS Power	THD	SNR	AUX Input	AUX Freq. Response	AUX Output Level	Speaker Output	Dimension	Net Weight
MP906	4x60W	≤1%	≥75 dB	300±50mV /10KΩ	80Hz-16kHz	2V/600Ω balanced	70V/100V & 4-16Ω	483x440x132mm	25.5kg
MP912	4x120W	≤1%	≥75 dB	300±50mV /10KΩ	80Hz-16kHz	2V/600Ω balanced	70V/100V & 4-16Ω	483x440x132mm	28.0kg

MP35/MP60/MP120
Ultrathin Digital Mixer Amplifier



MP35/MP60



MP120

Features:

- Rated power 35W/60W/120W, 70V/100V&4-16Ω output
- Compact 1 U height public address amplifier
- Line 1-2 input of RCA interface and one RCA line output
- Mic 1 of 6.35mm in front panel with priority & muting
- Mic 2 of balanced XLR in rear panel with phantom power 48V
- Each Mic and AUX input with independent volume control
- With master volume adjustment, Bass and Treble tone control
- Built-in EMC input of 100V and 300MV
- Priority level: EMC>MIC1>others
- Power supply: AC110V-240V & DC 24V



DC 24V Power Supply Phantom Power for Mic Input Emergency Input with Volume Control

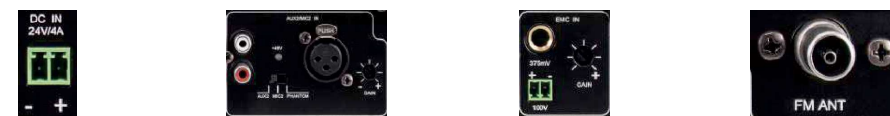
Model	RMS Power	THD	SNR	Freq. Response	Speaker Output	Dimension (W*D*H)	Net Weight
MP35	35W	≤0.2%	≥70dB	80Hz-16kHz	70V/100V & 4-16Ω	250×205×44mm	2.5kg
MP60	60W	≤0.2%	≥70dB	80Hz-16kHz	70V/100V & 4-16Ω	250×205×44mm	2.6kg
MP120	120W	≤0.2%	≥70dB	80Hz-16kHz	70V/100V & 4-16Ω	250×280×44mm	3.45kg

MP35UB/MP60UB/MP120UB
Mini Digital Mixer Amplifier with USB FM & Bluetooth



Features:

- Rated power 35W/60W/120W, 70V/100V&4-16Ω output
- Built-in Class-D amplifier module, high efficiency (85%)
- With USB, FM and Bluetooth function
- Line 1-2 input of RCA interface and one RCA line output
- Mic 1 of 6.35mm in front panel with priority & muting
- Mic 2 of balanced XLR in rear panel with phantom power 48V
- Built-in EMC input for emergency use
- Priority level: EMC>MIC1>others
- Protection: Overload, Short circuit, Overheat, Clip
- Power supply: AC110V-240V/50Hz/60Hz & DC 24V
- MP120UB power supply: AC220V/50Hz/60Hz & DC 24V



DC 24V Power Supply Phantom Power for Mic Input Emergency Input with Gain Control Built-in FM Module

Model	RMS Power	Mic Sensitivity	Mic Freq. Response	AUX Sensitivity	AUX Freq. Response	Speaker Output	Dimension (W*D*H)	Net Weight
MP35UB	35W	8mV	180Hz-10kHz	360mV	70Hz-16kHz	70V/100V & 4-16Ω	250×200×66mm	2.5kg
MP60UB	60W	8mV	180Hz-10kHz	360mV	70Hz-16kHz	70V/100V & 4-16Ω	250×200×66mm	2.6kg
MP120UB	120W	10mV	180Hz-10kHz	360mV	70Hz-16kHz	70V/100V & 4-16Ω	250×200×66mm	3kg

MP35H/MP60H/MP120H
Mini Digital Mixer Amplifier



Features:

- 1 channel AUX input with individual control; 1 channel MIC input; 1 channel TEL input
- 1 channel MOH output with impedance and level adjustable; 12V DC output, can connect with third party equipment
- With muting function of MIC and TEL (switchable), and dry contact of the third party equipment of muting input
- 25V/ 70V constant pressure output and 8Ω constant resistance output;
- Power supply: AC120V/ 60Hz
- With master volume control; microphone, telephone volume control; treble, bass tone control
- The amplifier consume half of the rack and can mount side by side with a second amplifier

Model	RMS Power	THD	Mic Input Sensitivity	AUX Input Sensitivity	Speaker Output	Dimension (W*D*H)	Net Weight
MP35H	35W	< 0.5%	250kΩ, 1mV, Unbalanced	47kΩ, 200mV, Unbalanced	24V/70V/8Ω	216x292x44mm	0.9kg
MP60H	60W	< 0.5%	250kΩ, 1mV, Unbalanced	47kΩ, 200mV, Unbalanced	24V/70V/8Ω	216x292x44mm	1.4kg
MP120H	120W	< 0.5%	250kΩ, 1mV, Unbalanced	47kΩ, 200mV, Unbalanced	24V/70V/8Ω	216x292x44mm	1.8kg

MP9306U/MP9312U/MP9306D/MP9312D
Ultra-mini Digital Mixer Amplifier with USB & Bluetooth



MP9306U/MP9312U



MP9306D/MP9312D



Features:

- Rated power 60W/120W, 100V speaker output
- Digital amplifier module, high efficiency (85%)
- Built-in USB & Bluetooth module
- With indicator light for signal level, clip and protection status
- 2 AUX inputs & 2 Mic inputs & 1 AUX output
- Each AUX & Mic input with individual volume control
- Mic 1 of 6.35mm in front panel, with priority & muting
- With priority input and 100V input
- 1 U height compact design, space and cost saving
- MP9306D/MP9312D with DC 24V power input
- Power supply: AC220V/50-60Hz



DC 24V Power Supply (MP9306D MP9312D)



Phantom Power for Mic Input



Emergency Input with Volume Control

Model	RMS Power	THD	SNR	Freq. Response	Speaker Output	Dimension (W*D*H)	Net Weight
MP9306	60W	≤0.5%	≥74dB	80Hz-15kHz	100V	200×190×44mm	1.5kg
MP9312	120W	≤0.5%	≥74dB	80Hz-15kHz	100V	200×190×44mm	1.7kg

Mini60
2x30W Mini Digital Amplifier with USB & Bluetooth



Features:

- Built-in 2x30W stereo Class D amplifier
- 4-16Ω speaker output
- Support wireless Bluetooth 3.0 and USB/SD input
- Support voice recording function in AUX mode
- 1 AUX input and 1 AUX output for power extension
- With remote controller for convenient use
- Aluminum-alloy casing, small size and portable
- 12-24V DC power supply for safe use
- With hooks at the bottom for wall mount installation

Model	RMS Power	THD	AUX Input Sensitivity	AUX Freq. Response	Speaker Output	Dimension	Net Weight
Mini60	2x30W	< 1 %	310mV	20Hz-20kHz(±3dB)	4-16Ω	180x163x55mm	0.8kg

Mini40
2x25W Mini Bluetooth Amplifier



Features:

- 4-16Ω speaker output
- Two channel stereo output 2x25W
- Audio source: Bluetooth/AUX input
- Mini Stereo Class D amplifier, with high efficiency
- Aluminum case, never rust and out of shape
- Compact and elegant design
- Power supply: AC100V-240V

Model	RMS Power	THD	AUX Input Sensitivity	AUX Freq. Response	Speaker Output	Dimension	Net Weight
Mini40	2x25W	< 0.1%	0dbV(0.775V)	20Hz-20kHz(±2dB)	4-16Ω	125x100x35mm	0.35kg

Mini40F
20W Stereo Mini Amplifier



Features:

- Rated power 20W, speaker output 100V
- Built in one channel stereo amplifier
- With 3.5mm interface for audio source
- With short circuit mute function
- Aluminum case, never rust and out of shape
- Power supply: AC100V-240V/50Hz/60Hz

Model	RMS Power	THD	Freq. Response	SNR	Line Sensitivity	Dimension	Net Weight
Mini40F	20W	≤5%@1KHz	80Hz-16KHz	≥70dB	775mV±30mV	142×122×51mm	0.6kg

MP9811P
Preamplifier with 10 inputs & 4 outputs



Features:

- 10 inputs (5 MIC,3 AUX,2 EMC) and 4 outputs
- Mic 1 in front pannel with priority & mute function
- Each AUX & Mic input with individual volume control
- 3 priority input levels: MIC1 > EMC > other inputs
- 2 tones control of Bass & Treble for sound effect control
- Power supply: AC220V/50Hz

PC1011P
Preamplifier with 12 inputs & 4 outputs



Features:

- 12 inputs (5 MIC,5 AUX,2 EMC) and 4 outputs
- Mic 1 in front pannel with priority & mute function
- Each AUX & Mic input with individual volume control
- 3 priority input levels: MIC1 > EMC > other inputs
- 2 tones control of Bass & Treble for sound effect control
- Built-in Chime for speech/paging notification, volume adjustable
- Screen display, support computer remote control by PC-10 System
- Wide power supply range: AC110V/220V/50Hz/60Hz & DC 24V

ADR25
Preamplifier with 8 inputs & 8 outputs



Features:

- 8 AUX inputs and 8 AUX outputs of RCA interface
- Each input with individual Bass & Treble tone control
- Each channel with signal indicator for input & output
- Aluminum alloy panel, fashionable and elegant design
- Power supply: AC220V/50Hz

Model	Mic Inputs	AUX Inputs	EMC Inputs	Outputs	Chime	AUX Input Sensitivity	AUX Freq. Response	AUX Output Level	Dimension	Net Weight
MP9811P	5	3	2	2	—	300mV/10kΩ	30Hz-20kHz	1000mV (0dBV)	484x365x88mm	6.2kg
PC1011P	5	5	2	2	v	250mV/10kΩ	20Hz-25kHz	1000mV (0dBV)	484x349.5x88mm	6.7 kg
ADR25	0	8	0	8	—	250mV/10kΩ	20Hz-30kHz	1000mV (0dBV)	484x375x88mm	5.8kg

MP6425/MP6438/MP6450
MP64 Series Power Amplifier with DC 24V



Features:

- 70V/100V & 4Ω optional speaker output
- XLR and 6.3mm jack AUX output for convenient linkage
- Support priority of AUX input and 100V input
- Automatic temperature controlled fan cooling system
- Industrial design for audio project, long term & stable use
- Protection from overheat, overload, clip & short circuit
- Power supply: AC220V/50Hz & DC 24V



DC 24V Power Supply



100V Input for Audio Source



Speaker Output of 4Ω, 70V/100V



Line Output with Gain Control



Line Input with Priority of XLR & 6.3mm socket



Line Input of XLR sockets

Model	RMS Power	THD	SNR	Freq. Response	Speaker Output	Dimension	Net Weight
MP6425	250W	<0.5%	>85dB	80Hz-16kHz	70V/100V & 4Ω	483x390x88mm	16.0kg
MP6438	380W	<0.5%	>85dB	80Hz-16kHz	70V/100V & 4Ω	483x390x88mm	18.3kg
MP6450	500W	<0.5%	>85dB	80Hz-16kHz	70V/100V & 4Ω	483x390x88mm	19.5kg

MP1500/MP2000/MP2500
MP98 Series Power Amplifier



Features:

- 70V/100V & 4-16Ω optional speaker output
- Rated power: 350W/450W/650W
- XLR and 6.3mm jack AUX output for convenient linkage
- 5 LED indicator for clear status display
- Built-in automatic temperature controlled fan cooling system
- Industrial design for audio project, long term & stable use
- Reliable protection from overheat, overload, clip & short circuit
- Power supply: AC220V/50Hz

Model	RMS Power	THD	SNR	Input Sensitivity	Freq. Response	Speaker Output	Dimension	Net Weight
MP1500	350W	<1%	≥77dB	1.0V	80Hz-16kHz	70V/100V & 4-16Ω	483x380x88mm	14.5kg
MP2000	450W	<1%	≥77dB	1.0V	80Hz-16kHz	70V/100V & 4-16Ω	483x380x88mm	17.0kg
MP2500	650W	<1%	≥77dB	1.0V	80Hz-16kHz	70V/100V & 4-16Ω	483x380x88mm	18.0kg

MP3000/MP3500/MP4000
MP98 Series Power Amplifier



Features:

- 70V/100V & 4-16Ω optional speaker output (MP4000:200V)
- Rated power: 1000W/1500W/2000W
- XLR and 6.3mm jack AUX output for convenient linkage
- 5 LED indicator for clear status display
- Built-in automatic temperature controlled fan cooling system
- Industrial design for audio project, long term & stable use
- Reliable protection from overheat, overload, clip & short circuit
- Power supply: AC220V/50Hz

Model	RMS Power	THD	SNR	Input Sensitivity	Freq. Response	Speaker Output	Dimension	Net Weight
MP3000	1000W	≤1%	≥82dB	1.1V	80Hz-15kHz	70V/100V & 4-16Ω	484x480x132mm	30kg
MP3500	1500W	≤1%	≥82dB	1.1V	80Hz-15kHz	70V/100V & 4-16Ω	484x480x132mm	33.8kg
MP4000	2000W	≤1%	≥82dB	1.1V	80Hz-15kHz	100V/200V & 4-16Ω	484x480x132mm	36kg

PA3002/PA4002/PA5002
PA Series Power Amplifier (DSPPA logo customized)



Features:

- 70V/100V & 4-16Ω optional speaker output
- Rated power: 350W/450W/650W
- XLR and 6.3mm jack AUX output for convenient linkage
- 5 LED indicator for clear status display
- Built-in automatic temperature controlled fan cooling system
- Industrial design for audio project, long term & stable use
- Reliable protection from overheat, overload, clip & short circuit

Model	RMS Power	THD	SNR	Input Sensitivity	Freq. Response	Speaker Output	Dimension	Net Weight
PA3002	350W	≤1%	≥77dB	≤1000mV	80Hz-15kHz	70V/100V & 4-16Ω	483x380x88mm	11.0kg
PA4002	450W	≤1%	≥77dB	≤1000mV	80Hz-15kHz	70V/100V & 4-16Ω	483x380x88mm	12.0kg
PA5002	650W	≤1%	≥77dB	≤1000mV	80Hz-15kHz	70V/100V & 4-16Ω	483x380x88mm	14.0kg

PA6002/PA7002/PA8002
PA Series Power Amplifier (DSPPA logo customized)



Features:

- 70V/100V & 4-16Ω optional speaker output (PA8002:200V)
- Rated power: 1000W/1500W/2000W
- XLR and 6.3mm jack AUX output for convenient linkage
- 5 LED indicator for clear status display
- Built-in automatic temperature controlled fan cooling system
- Industrial design for audio project, long term & stable use
- Reliable protection from overheat, overload, clip & short circuit

Model	RMS Power	THD	SNR	Input Sensitivity	Freq. Response	Speaker Output	Dimension	Net Weight
PA6002	1000W	≤1%	≥82dB	1100mV	80Hz-15kHz	70V/100V & 4-16Ω	480x505x132mm	31kg
PA7002	1500W	≤1%	≥82dB	1100mV	80Hz-15kHz	70V/100V & 4-16Ω	480x505x132mm	37kg
PA8002	2000W	≤1%	≥85dB	1100mV	80Hz-15kHz	100V/200V & 4-16Ω	480x505x132mm	39kg

MAG1306II/MAG1312II/MAG1325II/MAG1335II
Dual Channel Power Amplifier



Features:

- Dual channel with individual volume & tone control
- 70V/100V/200V convertible speaker output
- Audio input for each channel of 6.3mm and XLR
- Built-in short-circuit EMC input for each channel
- With forced insertion for volume controller connection
- With individual 4 LED status indicators for each channel
- Protection from overheat, overload, clip & short circuit
- Power supply: AC220V/50Hz

Model	RMS Power	THD	SNR	Input Sensitivity	Freq. Response	Speaker Output	Dimension	Net Weight
MAG1306II	2x60W	<1%	≥80dB	≤1200mV	100Hz-15kHz	70V/100V/200V	484x443x88mm	15.6kg
MAG1312II	2x120W	<1%	≥80dB	≤1200mV	100Hz-15kHz	70V/100V/200V	484x443x88mm	18.0kg
MAG1325II	2x250W	<1%	≥80dB	≤1200mV	100Hz-15kHz	70V/100V/200V	484x443x88mm	22.0kg
MAG1335II	2x350W	<1%	≥80dB	≤1200mV	100Hz-15kHz	70V/100V/200V	484x443x88mm	24.2kg



Digital Power Amplifier



Priority Line Input



100V Priority Input

The Priority Line Input & 100V Priority Input will override the normal line input, offers more options in audio project designs



70V/100V Output Switcher

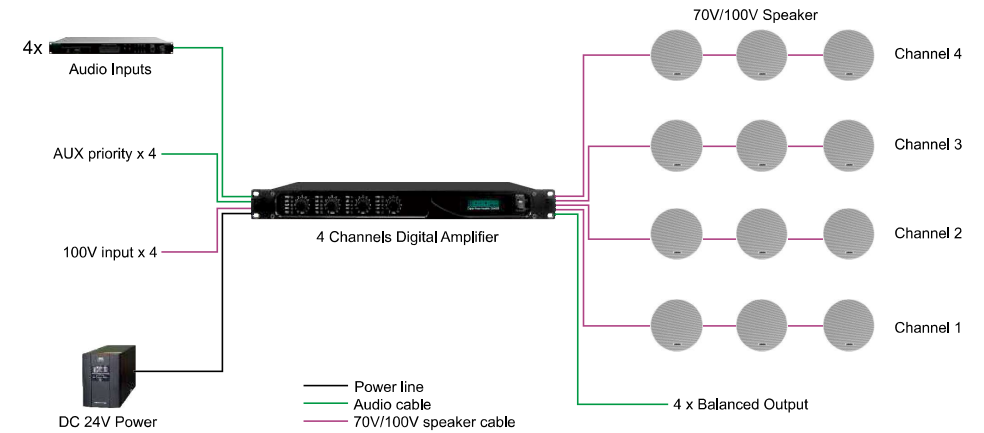
End user can select the speaker output for each channel



DC 24V Power Input

The amplifier will turn into DC power mode when AC power fails. Smoothly change without shutting down

Multi-channel Class-D Digital Amplifier



2 Channel Digital Amplifier
RMS 2x125W/2x250W/2x500W



4 Channel Digital Amplifier
RMS 4x60W/4x125W/4x250W



Features:

- 2/4 channels Class-D power amplifier
- 2/4 balanced audio inputs, 2/4 balanced speaker outputs
- Each channel with independent volume adjustment
- 5-unit LED indicator for status display
- Built in Class-D amplifier, high efficiency 85%
- Fan speed could auto-adjust according to temperature
- 2/4 channels AUX/100V inputs with priority
- Both input and output with HT-3.96 phoenix interface
- 1U standard size for 19" rack installation
- Wide AC input (180V-260V) & DC 24V

Applications:

All kinds of PA projects: school, factory, hotel, supermarket, etc.

DA4060/DA4125/DA4250
100V 4 Channels Class-D Amplifier



Features:

- 4 channel amplifiers within one 1U & 19" case
- Four audio inputs and four channel speaker outputs
- Four priority inputs and four 100V inputs
- 70V/100V speaker output for long distance transfer
- Industrial design for audio project, long term & stable use
- High efficiency (85%) and with standby function for power saving
- Power supply: AC180V-260V/50Hz-60Hz & DC24V (110V Customized)

Model	RMS Power	THD	SNR	Freq. Response	Output Voltage	Dimension	Net Weight
DA4060	4x60W	<0.3%	>80dB	80Hz-15kHz	70V/100V	483×435×44mm	7.4kg
DA4125	4x125W	<0.3%	>80dB	80Hz-15kHz	70V/100V	483×435×44mm	7.7kg
DA4250	4x250W	<0.3%	>80dB	80Hz-15kHz	70V/100V	483×435×44mm	8.0kg

DA2125/DA2250/DA2500
100V 2 Channels Class-D Amplifier



Features:

- 2 channel amplifiers within one 1U & 19" case
- Two audio inputs and two channel speaker outputs
- Two priority inputs and two 100V inputs
- 70V/100V speaker output for long distance transfer
- Industrial design for audio project, long term & stable use
- High efficiency (85%) and with standby function for power saving
- Power supply: AC180V-260V/50Hz-60Hz & DC24V (110V Customized)

Model	RMS Power	THD	SNR	Freq. Response	Output Voltage	Dimension	Net Weight
DA2125	2x125W	< 0.3 %	>80dB	80Hz-15kHz	70V/100V	483×435×44mm	6.7kg
DA2250	2x250W	< 0.3 %	>80dB	80Hz-15kHz	70V/100V	483×435×44mm	6.9kg
DA2500	2x500W	< 0.3 %	>80dB	80Hz-15kHz	70V/100V	483×435×44mm	7.3kg

DA3350/DA3450/DA3650/DA3750
1 channel Class-D Amplifier



Features:

- Built in Class-D amplifier
- 70V/100V constant voltage speaker output, support 70V/100V output real-time switching
- It has perfect and reliable DC output protection, short circuit protection and overheat protection to improve the safety performance of this machine
- 5 unit LED indicator for status display
- The 6.35mm socket and XLR socket make it easy to loop
- Output short circuit protection and automatic recovery
- A series amplifier with higher power is available
- Power supply: AC220V/50Hz

Model	RMS Power	THD	SNR	Freq. Response	Output Voltage	Dimension	Net Weight
DA3350	450W	≤1%	≥80dB	80Hz~16kHz (±3dB)	70V/100V	483×380×88mm	7.7kg
DA3450	550W	≤1%	≥80dB	80Hz~16kHz (±3dB)	70V/100V	483×380×88mm	7.7kg
DA3650	750W	≤1%	≥80dB	80Hz~16kHz (±3dB)	70V/100V	483×380×88mm	7.7kg
DA3750	1000W	≤1%	≥80dB	80Hz~16kHz (±3dB)	70V/100V	483×380×88mm	8kg

DA8060/DA8125/DA8250
8 Channels Digital Power Amplifier



Features:

- Touch screen design, user-friendly.
- 9 channels: 8 main amplifiers, 1 standby amplifier.
- Active/standby switching function: 8 main amplifiers in 8 channels
- Independent input and output interfaces for each channel
- Independently volume adjustment
- Protection of over voltage, over current, high temperature, and short circuit
- 100V constant voltage output

Model	RMS Power	THD	SNR	Input Sensitivity	Freq. Response	Speaker output	Dimension	Net Weight
DA8060	8x60W	≤0.5%	≥80dB	1VRMS	80Hz-15kHz	100V	484x470x176mm	24kg
DA8125	8x120W	≤0.5%	≥80dB	1VRMS	80Hz-15kHz	100V	484x470x176mm	26kg
DA8250	8x250W	≤0.5%	≥80dB	1VRMS	80Hz-15kHz	100V	484x470x176mm	28kg

DM835
2x10W Bluetooth On-wall Stereo Music Amplifier

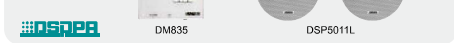


Features:

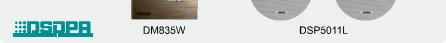
- Music player with built-in 2x10W stereo digital amplifier
- Music sources: Bluetooth, FM, SD, USB
- Support one AUX input and one AUX output
- With IR remote controller for convenient use
- Standard 86 case for on wall installation
- Power supply: AC100V-240V/50Hz/60Hz



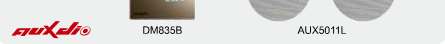
DSP835W



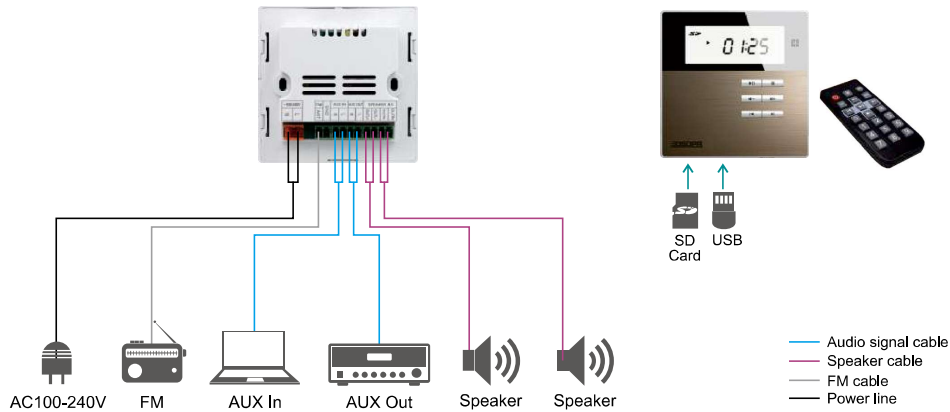
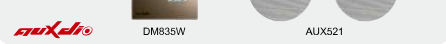
M2W



M2B



M3W



Model	RMS Power	Bluetooth	SD	USB	Radio	Remote Controller	APP Control	Dimension	Net Weight
DM835	2x10W/8Ω	V	V	V	FM	V	-	86×86×38mm	0.2kg

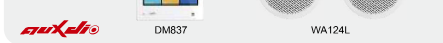
DM837
High-fidelity Bluetooth Digital Music Amplifier



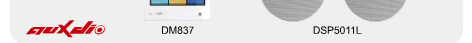
Features:

- 2x10W stereo speaker output @ 8Ω
- Abundant music sources: USB, SD, Bluetooth, AUX, FM
- 3.5" true TFT color touch screen for easy use
- With IR remote controller for easy use
- Support RS485 communication with third device
- Power supply: AC100V-240V/50Hz/60Hz

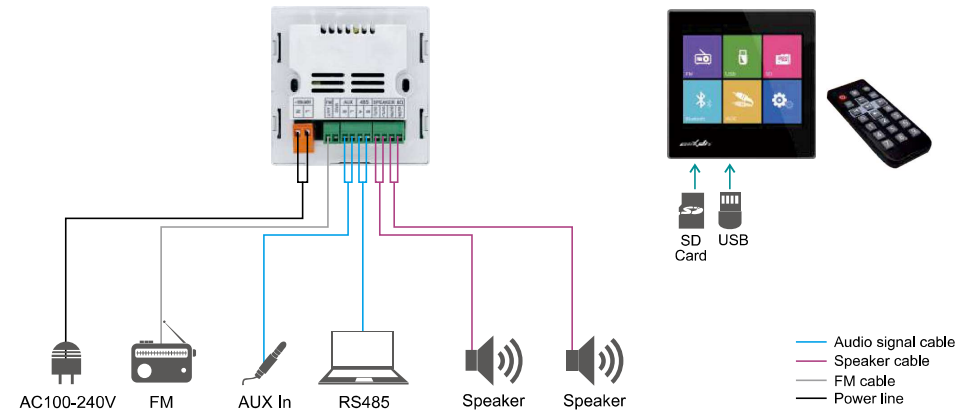
T1TZWA



T2TZWA



T3TZWA



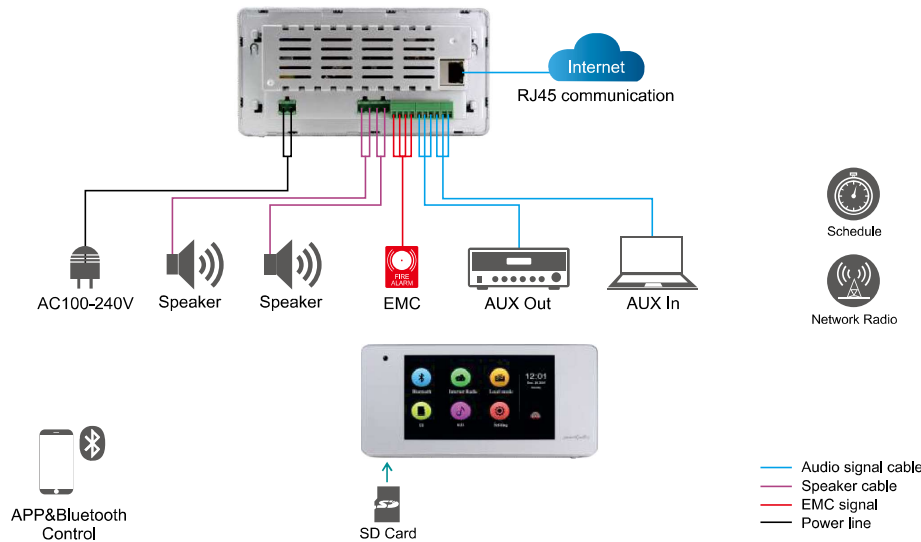
Model	RMS Power	Bluetooth	SD	USB	Radio	Remote Controller	APP Control	Dimension	Net Weight
DM837	2x10W/8Ω	V	V	V	FM	V	-	86×86×38mm	0.2kg

DM836II
2x20W Network On-wall Stereo Music Amplifier



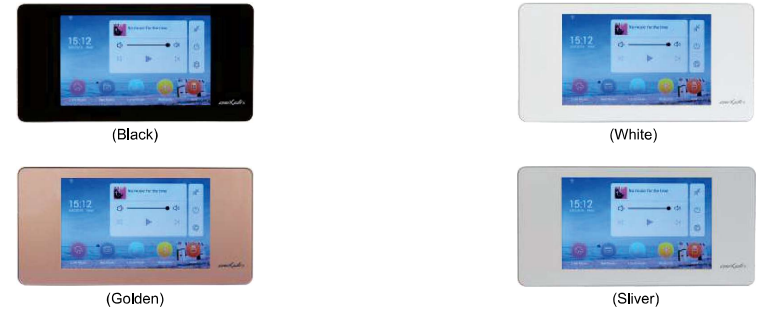
Features:

- Music player with built-in 2x20W stereo digital amplifier
- 5" TFT capacitance touch screen
- Music sources: Bluetooth, Network Radio, local music, SD, AUX input
- Built-in 4G memory as local music source
- Independent timing function and the power odd memory function
- Built-in Sigma DSP audio processor
- Built-in 10 band EQ control for customized sound effect
- With IR remote controller for convenient use
- Built-in RJ-45 interface, support APP control via smart phone
- On wall installation design, silver/black/white/golden color available
- Power supply: AC100V-240V/50Hz/60Hz, 1A



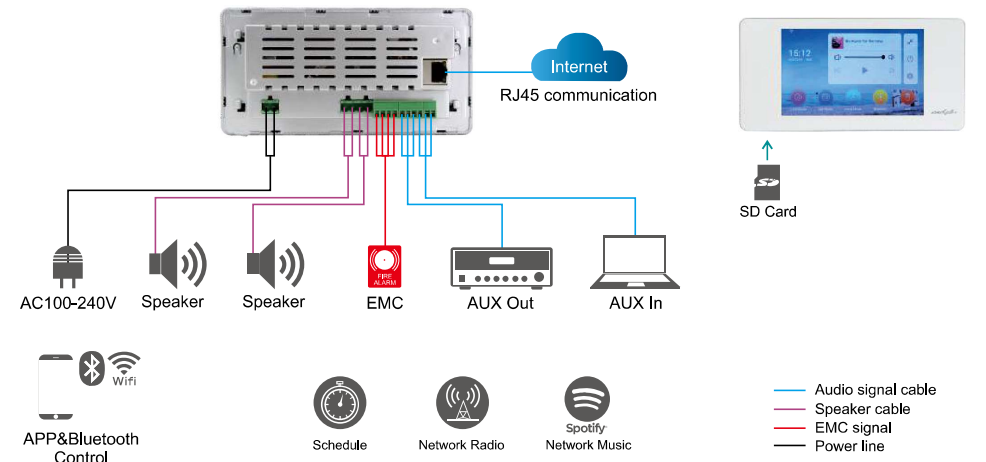
Model	RMS Power	Bluetooth	SD	USB	Radio	Remote Controller	APP Control	Dimension	Net Weight
DM836II	2x20W/8Ω	V	V	-	Network Radio	V	V	172×86×50mm	0.38kg

DM838
2x20W Network On-wall Stereo Music Amplifier



Features:

- Music player with built-in 2x20W stereo digital amplifier
- 5" TFT capacitance touch screen
- With timing function to play music
- Built-in Sigma DSP audio processor
- Music sources: Bluetooth, SD, AUX input, Network radio, Network Music, Air Play, DLNA
- Built-in Android platform, support APP installation and APP control
- Built-in RJ-45 interface, connect with Internet via network cable or wireless router
- Built-in video player, support 1080P full high-definition video display
- Independent timing function and the power odd memory function
- On wall installation design, silver/black/white/golden colors available
- Power supply: AC100V-240V/50Hz/60Hz, 1A



Model	RMS Power	Bluetooth	SD	USB	Radio	Remote Controller	APP Control	Dimension	Net Weight
DM838	2x20W/8Ω	V	V	-	Network Radio	-	V	172×86×45mm	0.38kg