



## GIOTTO

### Electromechanical barrier for intensive use.

- Range of barriers for intensive use, able to manage useful passages up to 6 m. Equipped with 24Vdc motors, they have a wide range of accessories making them ideal in any context.
- Scenario programming: the MERAK BG control units enable extremely rapid and precise installations thanks to the scenario programming of the installation. In fact, with just a few choices made on the display it is possible to program the control unit completely, saving time and ensuring the best results.
- Control unit in upper position: the control unit located at the top of the barrier and protected by a solid aluminium housing enables connection, programming and maintenance operations to be performed with maximum ease and convenience.



U-Link



rolling code



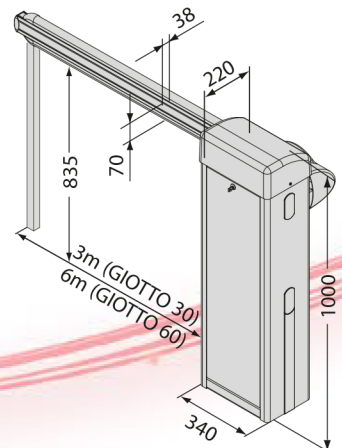
er ready



ee link



24 V



### FEATURES

- Encoder technology
- Electronic limit switches
- Control unit with U-Link and programming display

### SPECIFICATIONS

	<b>GIOTTO BT A 30 U</b>	<b>GIOTTO BT A 30S U</b>	<b>GIOTTO BT A 60 U</b>	<b>GIOTTO BT A 60S U</b>
Useful passage	3 metres	3 metres	6 metres	6 metres
Control unit	MERAK BG	MERAK BG	MERAK BG	MERAK BG
Motor power supply	24V	24V	24V	24V
opening or closing	4 seconds	2.5 seconds	5 seconds	4 seconds
Type of limit switch	elec.opening/closing	elec.opening/closing	elec.opening/closing	elec.opening/closing
Slowdown	adjustable	adjustable	adjustable	adjustable
Impact reaction	encoder	encoder	encoder	encoder
Lock	mechanical	mechanical	mechanical	mechanical
Release	personal key	personal key	personal key	personal key
Frequency of use	intensive	intensive	intensive	intensive
Ambient conditions	from -10 (-40 with thermo activation) °C to 50 °C	from -10 (-40 with thermo activation) °C to 50 °C	from -10 (-40 with thermo activation) °C to 50 °C	from -10 (-40 with thermo activation) °C to 50 °C
Protection rating	IP54	IP54	IP54	IP54