

UL 7 - 12

12V 7AH

STANDBY

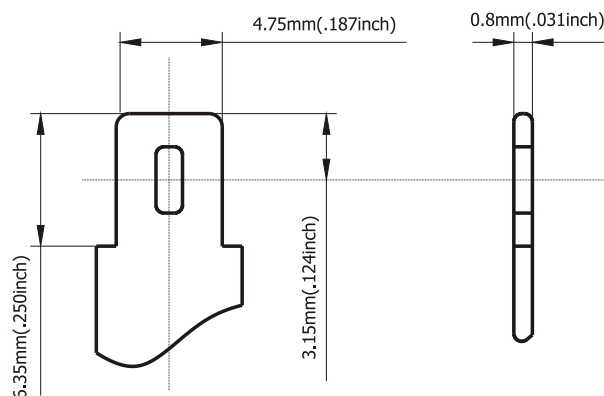
Ultracell®

'Quality in Every Language'

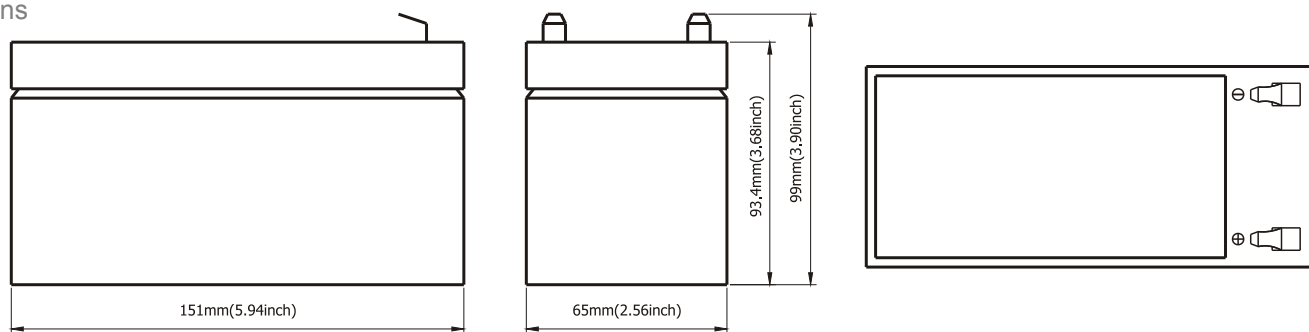
Image



Terminal Type



Dimensions



Specifications

| Battery Model | UL 7 - 12 | | | |
|----------------------------------|---|----------------------|----------------------|-------------------|
| Designed Floating Life | 5 Years | | | |
| Capacity (25°C) | 20HR (0.35A, 1.75V) | 10HR (0.665A, 1.75V) | 5HR (1.19A, 1.75V) | 1HR (4.2A, 1.55V) |
| | 7AH | 6.65AH | 5.95AH | 4.2AH |
| Dimensions | Length | Width | Height | Total Height |
| | 151mm | 65mm | 93.4mm | 99mm |
| Approx. Weight | 2.05Kg | | | |
| Internal Resistance | Fully Charged at 25°C 0.028Ohm | | | |
| Self Discharge | 3% of capacity declined per month at 25°C | | | |
| Capacity Affected by Temperature | 40°C | 25°C | 0°C | -15°C |
| | 102% | 100% | 85% | 65% |
| Charge Voltage (25°C) | Cycle Use | | Float Use | |
| | 14.0-15.0V (-24mV/C), max. Current: 2.1A | | 13.6-13.8V (-18mV/C) | |

Construction

| | | | |
|-----------|--------------------------------|--------------|----------------|
| Component | Raw material | Sealant | Epoxy Resin |
| Positive | Lead dioxide | Safety Valve | EPDR |
| Negative | Lead | Terminal | Copper |
| Container | ABS (Flame Retardent optional) | Separator | Fibre Glass |
| Cover | ABS (Flame Retardent optional) | Electrolyte | Sulphuric acid |

Sealed and maintenance free option *Non-spillable construction design*



CE 1188



MH 29410

Tel +44 (0) 151 523 2777
 Fax +44 (0) 151 523 0855
 E-mail info@ultracell.co.uk
 Web www.ultracell.co.uk

UL 7 - 12

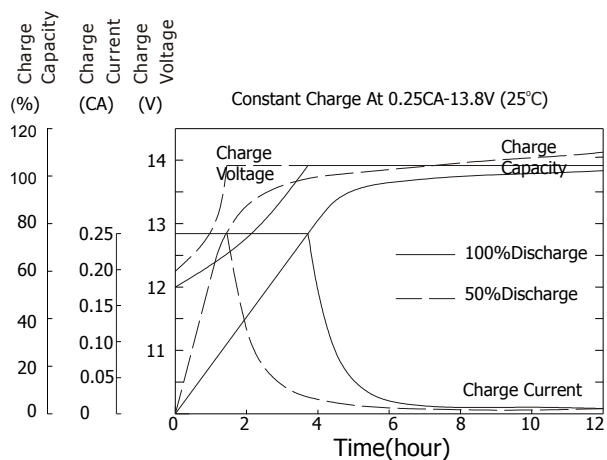
12V 7AH

STANDBY

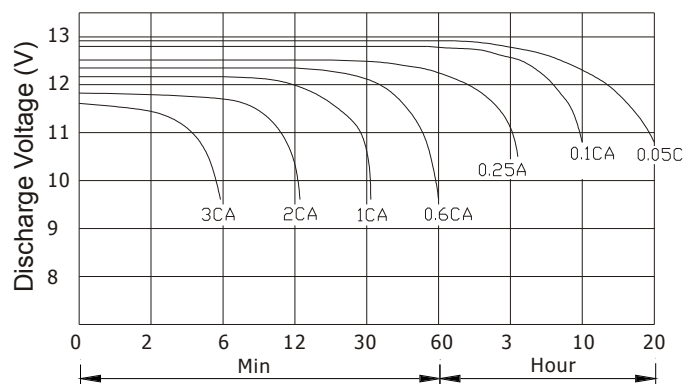
Ultracell®

'Quality in Every Language'

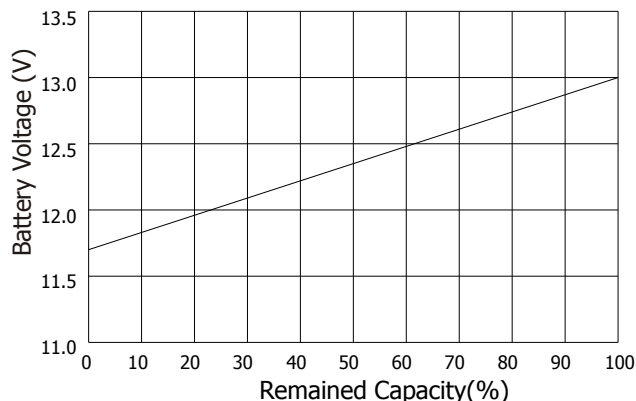
Charge Characteristic



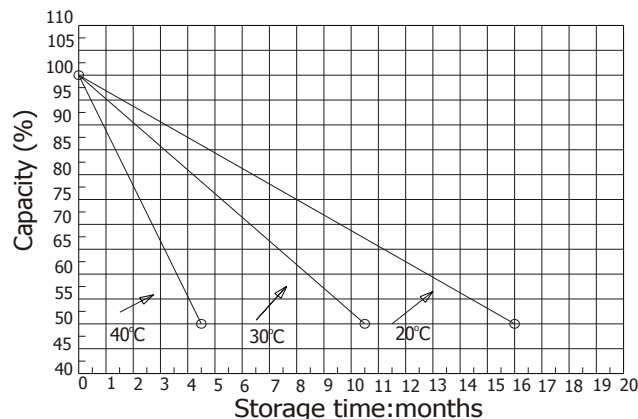
Discharge Characteristic 25°C



Relationship of OCV and state of charge



Self Discharge Characteristics



Constant Current Discharge Ratings - amperes at 25°C

| F.V / Time | 5 MIN | 10 MIN | 15 MIN | 30 MIN | 1 HR | 3 HR | 5 HR | 10 HR | 20 HR |
|------------|-------|--------|--------|--------|------|------|------|-------|-------|
| 1.60 V | 27.6 | 16.9 | 12.8 | 7.83 | 4.20 | 2.18 | 1.29 | 0.71 | 0.39 |
| 1.67 V | 25.6 | 16.2 | 12.4 | 7.50 | 4.16 | 1.85 | 1.26 | 0.70 | 0.37 |
| 1.70 V | 23.7 | 15.5 | 12.0 | 6.80 | 4.00 | 1.75 | 1.23 | 0.67 | 0.36 |
| 1.75 V | 23.4 | 15.1 | 11.7 | 6.48 | 3.92 | 1.70 | 1.19 | 0.67 | 0.35 |
| 1.80 V | 20.7 | 14.4 | 10.6 | 6.00 | 3.65 | 1.67 | 1.18 | 0.67 | 0.35 |
| 1.85 V | 18.3 | 13.7 | 9.49 | 5.50 | 3.54 | 1.64 | 1.18 | 0.52 | 0.35 |

Constant Power Discharge Ratings - watts at 25°C

| F.V / Time | 5 MIN | 10 MIN | 15 MIN | 30 MIN | 1 HR | 3 HR | 5 HR | 10 HR | 20 HR |
|------------|-------|--------|--------|--------|------|------|------|-------|-------|
| 1.60 V | 56.0 | 36.4 | 28.0 | 16.2 | 9.10 | 3.54 | 2.41 | 1.36 | 0.71 |
| 1.67 V | 54.2 | 35.6 | 27.6 | 16.0 | 9.00 | 3.53 | 2.40 | 1.36 | 0.71 |
| 1.70 V | 51.9 | 35.0 | 26.9 | 15.7 | 8.90 | 3.50 | 2.39 | 1.35 | 0.70 |
| 1.75 V | 48.9 | 33.6 | 26.0 | 15.3 | 8.77 | 3.47 | 2.38 | 1.34 | 0.70 |
| 1.80 V | 42.4 | 31.1 | 24.9 | 14.8 | 8.48 | 3.42 | 2.35 | 1.33 | 0.69 |
| 1.85 V | 40.0 | 28.8 | 23.8 | 14.1 | 8.29 | 3.36 | 2.32 | 1.33 | 0.69 |



CE 1188



MH 29410

Tel +44 (0) 151 523 2777
 Fax +44 (0) 151 523 0855
 E-mail info@ultracell.co.uk
 Web www.ultracell.co.uk